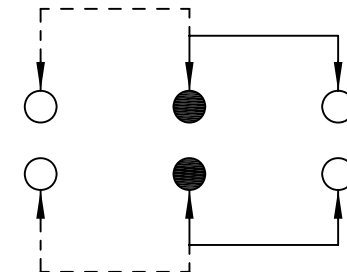
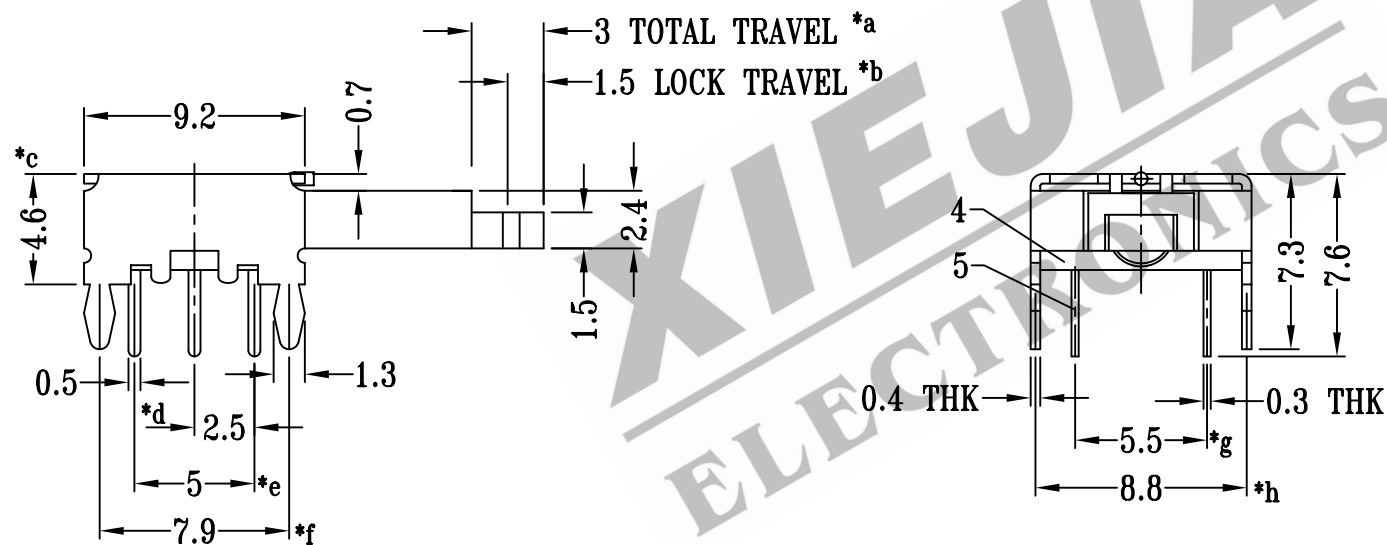
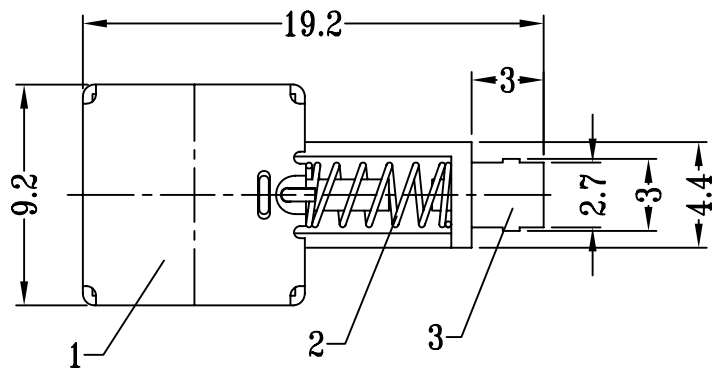
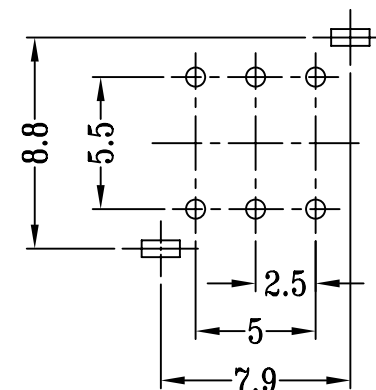


CAD FILE:



SCHEMATIC (NON-SHORTING)



P.C.B LAYOUT

注:带"*"表示关键尺寸(8个)

8	CONTACT CLIP	PBS	2	Ag CLAD	TOLERANCE UNLESS SPECIFIED	SHENZHEN XIEJIA ELECTRONICS CO.,LTD.				
7	LOCK NEEDLE	BRASS WIRE	1	NATURAL						
6	SPRING PLATE	PBS STRIP	1	NATURAL	WITHIN: 1.5±0.1mm	ISSUE	DATE	DESCRIPTIONS		APPD.
5	TERMINAL	BRASS STRIP	6	Ag PLATED OVER Ni PLATED	OVER : 1.5±0.2mm					
4	TERMINAL BASE	PHENOLIC RESIN	1	NATURAL	TITLE : PUSH SWITCH		UNIT : MM	DRWG NO.: XJ-DR-PS22E02-00		
3	KNOB	POM	1	YELLOW	MODEL: PS-22E02		SCALE: 3:1	DWN.	ZHOUYU	2004-6-10
2	SPRING	STEEL WIRE	1	Ni PLATED	ALL MATERIALS MUST BE COMPLIANT TO ROHS			CHK'D	FANGYING	2004-6-10
1	FRAME	STEEL STRIP	1	Ni PLATED				APPD.	KANGXINAN	2004-6-10
NO.	PART NAME	MATERIAL	Q'TY	FINISHING						